

DENSO
DENSO WAVE

HANDHELD TERMINAL
BHT-1600
SERIES



Designed for harsh
environments.



Smart when the going gets tough.

The BHT-1600.

The market asked for it, now it's here:

The BHT-1600 – the first handheld terminal from DENSO in the style of a smartphone. Why did it take so long? Because it occasionally takes more time to produce good quality.

The BHT-1600 is designed for all kinds of tough environments. Its glass: ultra-scratch-resistant. Its casing: drop tested umpteen times. Its touch-screen: easy to operate even with gloves. With all the benefits of a smartphone. Expect more from a touchscreen computer: **quality from DENSO.**



Original size

TOUGH:

Fitted with extra shatter-resistant Asahi Dragontrail™ glass as standard. Six times stronger than soda lime glass.



ROBUST:

With built-in protective casing on the rugged version, dropped from a height of 1.8 metres in tests.



CONNECTED:

Equipped with Wi-Fi and LTE (4G) for mobile data transfer at maximum speeds.



MODERN:

In the latest Android™ 6.X version.

It's almost a minor matter that it scans brilliantly.

The BHT-1600.

The BHT-1600 is a real multi-talent device.

Take advantage of all the opportunities for smart communication
to accelerate your working processes.



MAKE CALLS

to quickly discuss queries with managers or other departments. **You no longer need a mobile phone.**
With the BHT-1600 you have a data capture device and a smartphone in one.



USE APPS

to optimise your working processes
and save high development costs.



SEND A TEXT MESSAGE

to inform customers or colleagues about gaps
in the inventory, for example.



GO ONLINE

to retrieve data or get information –
from tracking and tracing deliveries
to comparing competitors' prices.



TAKE PHOTOS

to document returns, for instance, or
record evidence of damaged goods.

Others call it progress. To us, it's standard. The technical highlights.

The BHT-1600 represents the latest generation of scanners.
Sharper, swifter, safer.



Reads 1D and 2D Codes
and NFC cards –

Even when they are damaged.

Non-GMS for more security and independence.

Without **Google Mobile Services** — to enhance your business data security.



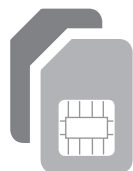
Features an

**app
blocker**

to prevent private
downloads.



**Authentication via
an NFC IC card**
increases your security
and data protection.



**2x SIM
1x SAM**

Features one SAM and two
SIM card slots.

SQRC® &
FrameQR Codes

Reads SQRC® and FrameQR Codes
thanks to the combination of a high-end
camera with Q-Reader app.



The camera on the back supports
razor-sharp OCR.

USB



The USB OTG
(On-the-Go) port
permits access to
external data.

Tested for half an eternity: The robustness of the BHT-1600.

Hard facts and powerful arguments back up the BHT-1600.
High-tech you can rely on. Permanently.

1.80 metres

Can withstand a drop from 1.2 metres as standard. The rugged version with its built-in protective casing can even survive a drop from 1.8 metres.

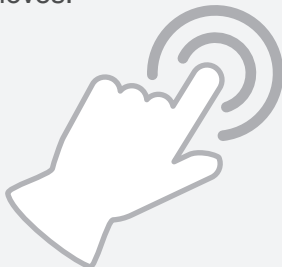


24-hour battery life –
even with constant
wireless use.

Thanks to the use
of patented **Asahi
Dragontrail™** glass,
the LCD screen is six
times stronger than
soda lime glass.



Easy to operate wearing
latex, nitrile, cotton and
PVC gloves.



Works in extreme
temperatures ranging from
-20° to +50° Celsius.



IP67-certified to repel
water and dust.

**YOU CAN HARDLY INCREASE
THE READING SPEED OF THE
BHT-1600 ANY FURTHER –
except with our GunGrip*.**

The DENSO GunGrip* is available as an optional extra
for faster scanning. Simply attach the BHT-1600 and
you have an even firmer grip on the handheld terminal,
allowing you to read codes effortlessly from afar.

*under consideration



BHT-1600 SERIES

		Wifi	Wifi + protector	Wifi + LTE	Wifi + LTE + protector
Model		BHT-1600QWB-A6N-S	BHT-1600QWB-A6N-RS	BHT-1600QWB-A6N-S	BHT-1600QWB-A6N-RS
OS		Android™ 6.X (non GMS)			
CPU		Quad-core 1.3 GHz			
Memory	RAM	2.0 GB (User area: 0.8 GB)			
	Flash ROM	16 GB (User area: 10 GB)			
Display	Number of dots*1	720 × 1280 dots (4.7 inch HD)			
	Display system	Liquid crystal dot matrix display (colour)			
	Back light	White LED			
Scanner	Read system	Area sensor			
	Readable codes	1D Codes	EAN-13/8 (JAN-13/8), UPC-A/E, Interleaved 2 of 5 (ITF), Standard 2 of 5 (STF), Codabar (NW-7), CODE39, CODE93, CODE128, Composite CC-A/B, Composite CC-C, GS1-128 (EAN-128), GS1 DataBar-14 (RSS-14), GS1 DataBar Limited (RSS Limited), GS1 DataBar Expanded (RSS Expanded)		
		2D Codes	Data Matrix, Maxi code, Micro PDF417, PDF417, QR Code, Micro QR Code		
Minimum Resolution	1D Codes	0.125 mm			
	2D Codes	0.167 mm			
Scanning reference position		120 mm			
Marker		Cross guide marker			
Scan confirmation		Visual (green LED), acoustic (speaker), haptic (vibration)			
Keypad		Power key, 2 trigger keys, volume up key, volume down key			
Touch screen		Dragontrail glass™, AF coat			
Network	Wireless LAN*2	Compatible standards	IEEE802.11a/b/g/n compliant		
		Frequency band	IEEE802.11a/n: 5.2 GHz, 5.3 GHz, 5.6 GHz, 5.8 GHz band, IEEE802.11b/g/n: 2.4 GHz band		
		Transmission distance*3	IEEE802.11a: indoors = approx. 50 m, IEEE802.11b/g/n: indoors = approx. 75 m, outdoors = approx. 200 m		
		Transmission speed*3	IEEE802.11b: 11/5.5/2/1Mbps, IEEE802.11a/g: 54/48/36/24/18/12/9/6Mbps, IEEE802.11n: 65/58.5/52/39/26/19.5/13/6.5Mbps		
		Access method	Infrastructure mode		
	Security	WEP; WPA/WPA2 Personal(PSK): TKIP, AES; WPA/WPA2 Enterprise(EAP), TKIP, AES-PEAP/TLS/TLS/PWD/SIM			
	Wireless WAN	Compatible standards	LTE / 3G / GSM		
Bluetooth®		Bluetooth Ver. 4.1 + BLE compliant (Compatible profile); GAP, SDAP, HSP, SPP, GOEP, OPP, HFP (AG1.5), PAN, A2DP, AVRCP, GAVDP, HID, PBAP			
Card slot		MicroSDHC × 1 slot, microSIM × 2, microSAM × 1			
Power supply	Main battery	Lithium-ion battery (2960 mAh)			
	Operating time*4	24 hours*5		12 hours*6	
Additional functions		NFC: ISO1443A & B(Mifare), ISO15693(Felica), GPS: A-GPS/GLONASS			
Environmental requirements	Operating temperature*7	-20 to 50°C			
	Protection rating	IP67			
	Drop resistance*8	1.2 m × 36 times	1.8 m × 36 times	1.2 m × 36 times	1.8 m × 36 times
Weight (incl. battery)		Approx. 260 g	Approx. 310 g	Approx. 260 g	Approx. 310 g

*1: Although the effective number of picture elements is more than 99.99% thanks to high-precision technologies used to manufacture LCDs, allow the possibility of some elements, less than 0.01%, that are missing or permanently turned on; *2: IEEE802.11a: 5.2GHz (W52) and 5.3GHz (W53) are indoor use only. *3 The communication distance and transmission speed shown are reference values, and may vary depending on the actual environmental conditions. *4: The described operating time is a reference figure under regular temperature and may vary depending on usage conditions; *5 Scanning : Wireless communication: Screen update: Standby = 1:5:1:60. The vibrator and buzzer are disabled. The power save mode is ON (FastPSP). The wireless function is always enabled, and all other functions are disabled. *6 Scanning : Screen update : Standby = 1:30:270. 1K Byte data communication in Wireless WAN is conducted in screen re-writing. *7 Zero to 40°C when batteries are being recharged; *8 Result obtained in a test under regular temperature is shown and not meant as a guarantee.

ACCESSORIES (sold separately)

Recharger

- CH-1631 (Main unit charger)
- CH-1654 (4 slot unit rechargers) ^{to be released}
- CH-1604 (4 slot battery rechargers)

Case and others

- Waist case (WHBHT-1600) ^{to be released}
- Stylus pen (PNBHT-1600)
- Hand-belt (HBBHT-1600)

☑ Items with this mark are available from the DENSO WAVE website (QBdirect) free of charge.

TO USE THIS PRODUCT SAFELY

Before using this product, read its User's Manual thoroughly.

QR Code is a registered trademark of DENSO WAVE INCORPORATED.

Product appearance and specifications are subject to change without notice. | © 2019 DENSO WAVE EUROPE GmbH

COMPONENTS

- Main unit
 - Lithium-ion battery (BT-160LA)
 - Hand strap & Hand belt*
 - AC adapter
 - Micro USB cable
 - Direct charging cable (CBBHT-US 1600/C 16-4A)
 - Guidelines for operation
 - Instruction manual [☑]
- *optional for Standard model

SOFTWARE

Software (pre-installed)

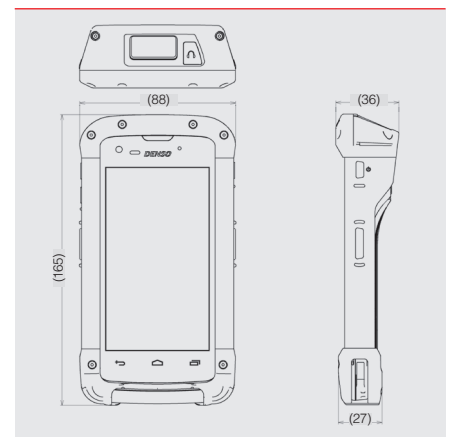
- Code reading software (with a keyboard interface) [Reader Config]
- Software trigger key [Software Trigger]
- Application Launcher [AppLock]
- HTML5-capable custom browser [Android™ Browser for BHT-1600]
- File explorer [File Manager]
- Device configuration tool [MDS Client for Android™]; Server (PC) side tool [MDS Android™] [☑]
- Device management software [MobiControl Installer from SOTI]*1
- OCR scanning software [OCR reader]*

*1 Software available with payment of a fee. A license fee is separately charged for its use.

Development Tool

- Software Development Kit for Android™ (SDK) dedicated for the BHT-1600 series
- QR Code/SQR Code® scanning app [QR Code reader Q installer]

DIMENSIONS



DENSO

DENSO WAVE EUROPE GmbH

Parsevalstr. 9 A
D-40468 Düsseldorf
☎ +49 211 540 138 40
✉ info@denso-wave.eu

For more information, please visit our website
www.denso-wave.eu

